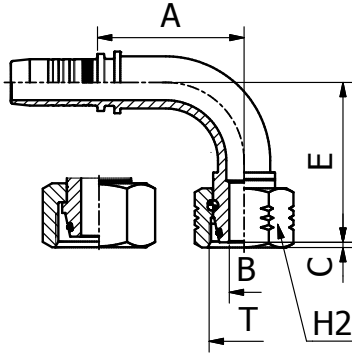


DIN STANDARD CONNECTIONS

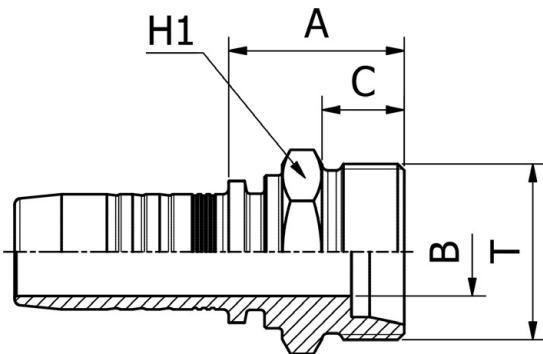


M21692/M21693

**90° METRIC O-RING FEMALE SWEPT ELBOW
24° CONE HEAVY DUTY
DIN 20066 / ISO 12151-2**

PART. REF.	HOSE BORE			Thread	Pipe	DIMENSIONS mm						
	DN	Dash	inch	T	mm	B	A	C	E	H2		
M21692-06-18	10	- 6	3/8"	M 18X1.5	10.0	4.0	35.5	3.9	42.5	22.0		
M21692-08-22	12	- 8	1/2"	M 22X1.5	14.0	7.0	44.0	2.5	48.5	27.0		
M21692-10-24	16	- 10	5/8"	M 24X1.5	16.0	9.3	53.5	4.0	58.5	30.0		
M21692-12-30	19	- 12	3/4"	M 30X2	20.0	12.5	61.5	2.2	67.5	36.0		
M21692-16-36	25	- 16	1"	M 36X2	25.0	15.0	79.5	1.7	86.0	41.0		
M21692-24-52	38	- 24	1.1/2"	M 52X2	38.0	24.7	91.5	8.8	95.5	60.0		
M21693-03-14	5	- 3	3/16"	M 14X1.5	6.0	3.0	26.0	3.5	30.0	17.0		
M21693-03-16	5	- 3	3/16"	M 16X1.5	8.0	3.0	26.0	3.4	29.5	19.0		
M21693-04-14	6	- 4	1/4"	M 14X1.5	6.0	3.0	29.5	1.9	32.5	17.0		
M21693-04-16	6	- 4	1/4"	M 16X1.5	8.0	4.0	29.5	3.4	29.5	19.0		
M21693-04-18	6	- 4	1/4"	M 18X1.5	10.0	4.0	29.5	2.5	31.0	22.0		
M21693-04-20	6	- 4	1/4"	M 20X1.5	12.0	5.5	29.5	2.0	34.5	24.0		
M21693-05-18	8	- 5	5/16"	M 18X1.5	10.0	4.0	32.0	2.5	33.5	22.0		
M21693-05-20	8	- 5	5/16"	M 20X1.5	12.0	5.5	32.0	2.0	34.0	24.0		
M21693-06-20	10	- 6	3/8"	M 20X1.5	12.0	7.0	36.5	2.0	35.0	24.0		
M21693-06-22	10	- 6	3/8"	M 22X1.5	14.0	7.0	36.5	3.0	37.0	27.0		
M21693-06-24	10	- 6	3/8"	M 24X1.5	16.0	9.3	36.5	4.0	36.0	30.0		
M21693-08-24	12	- 8	1/2"	M 24X1.5	16.0	9.3	45.0	4.0	40.5	30.0		
M21693-08-30	12	- 8	1/2"	M 30X2	20.0	12.5	45.0	3.5	44.5	36.0		
M21693-10-30	16	- 10	5/8"	M 30X2	20.0	12.5	51.5	3.5	57.5	36.0		
M21693-12-36	19	- 12	3/4"	M 36X2	25.0	15.0	61.5	4.5	64.5	41.0		
M21693-16-42	25	- 16	1"	M 42X2	30.0	19.8	79.0	6.3	74.5	50.0		
M21693-20-52	31	- 20	1.1/4"	M 52X2	38.0	26.0	93.5	8.0	85.5	60.0		

163 FITTINGS



NF STANDARD CONNECTIONS

M11710

**FRENCH METRIC MALE
24° CONE SEAT MILLIMETRIC TYPE**

PART. REF.	HOSE BORE			Thread	Pipe	DIMENSIONS mm			
	DN	Dash	inch	T	mm	B	A	C	H1
M11710-10-2718	16	- 10	5/8"	M 27X1.5	18.0	12.5	28.5	14.0	28.0
M11710-10-2720	16	- 10	5/8"	M 27X1.5	20.0	12.5	28.5	14.0	28.0
M11710-12-30	19	- 12	3/4"	M 30X1.5	22.0	15.0	30.0	14.0	30.0
M11710-12-33	19	- 12	3/4"	M 33X1.5	25.0	15.0	31.0	14.0	34.0